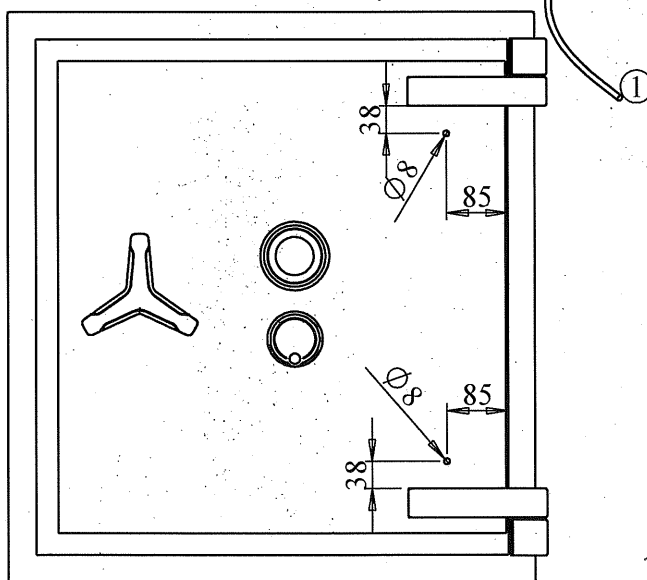
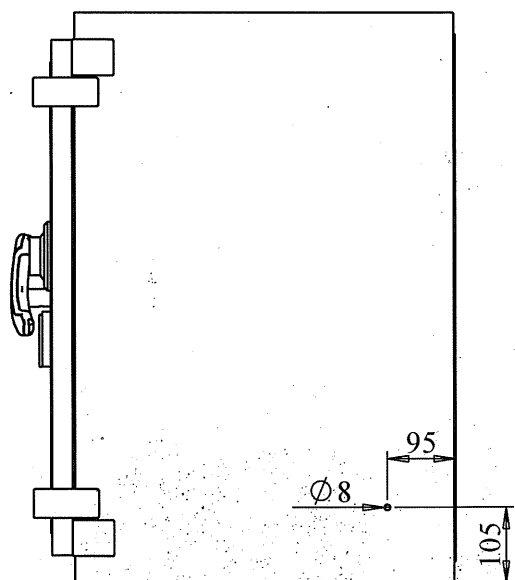
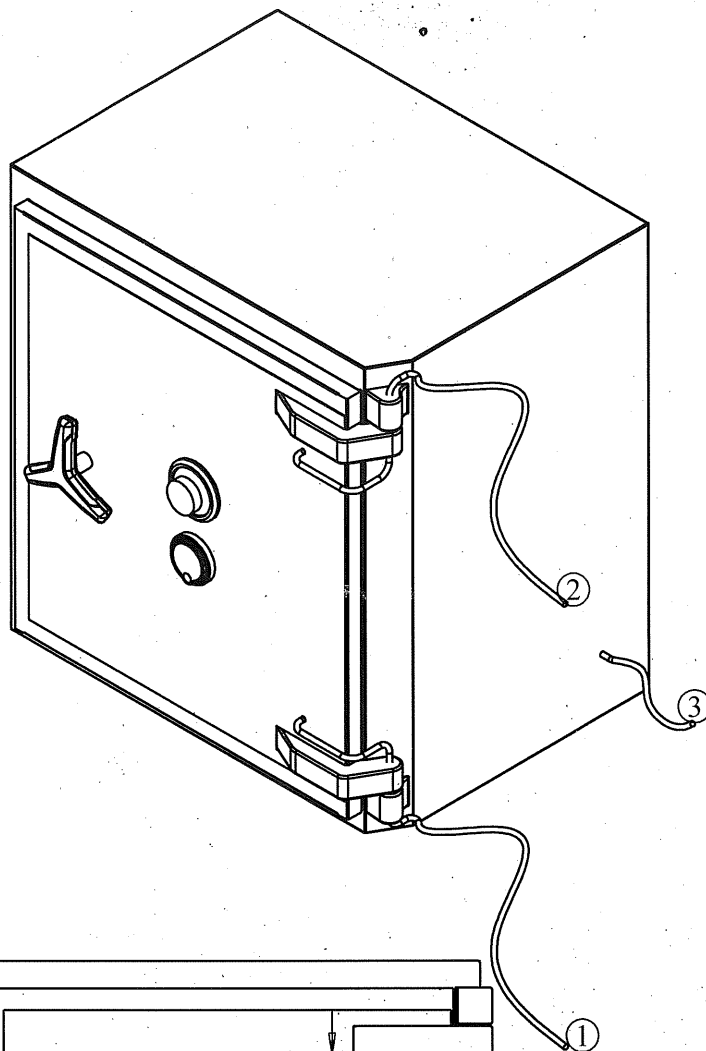



- ① ② fils porte cable (door exit)
- ③ fils caisse cable (body exit)



D	-	-
C	-	-
B	Rectification 121->85 on the door	CB 14/09/2009
<i>Warning! Modifications only in Bazancourt</i>		
Part	<b>SORTIES FILS CABLES EXIT</b>	<i>Material</i>
Product	<b>COFFRE TRIDENT TRIDENT SAFE</b>	<i>Finishing</i>
 <i>For a safer world</i>	Drawing by : J.Bacquenois	<i>General tolerance</i>
	Creation date : 17/06/2009	Scale : 1/6
	<b>A4: 38 96 034 B</b>	